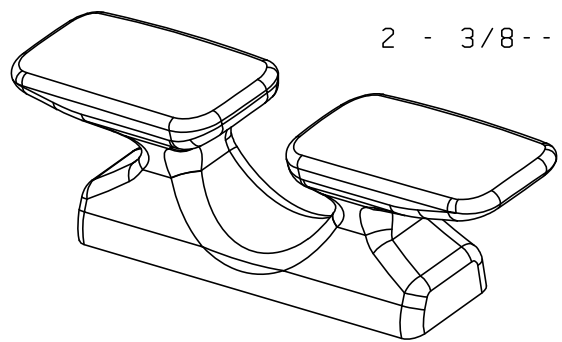
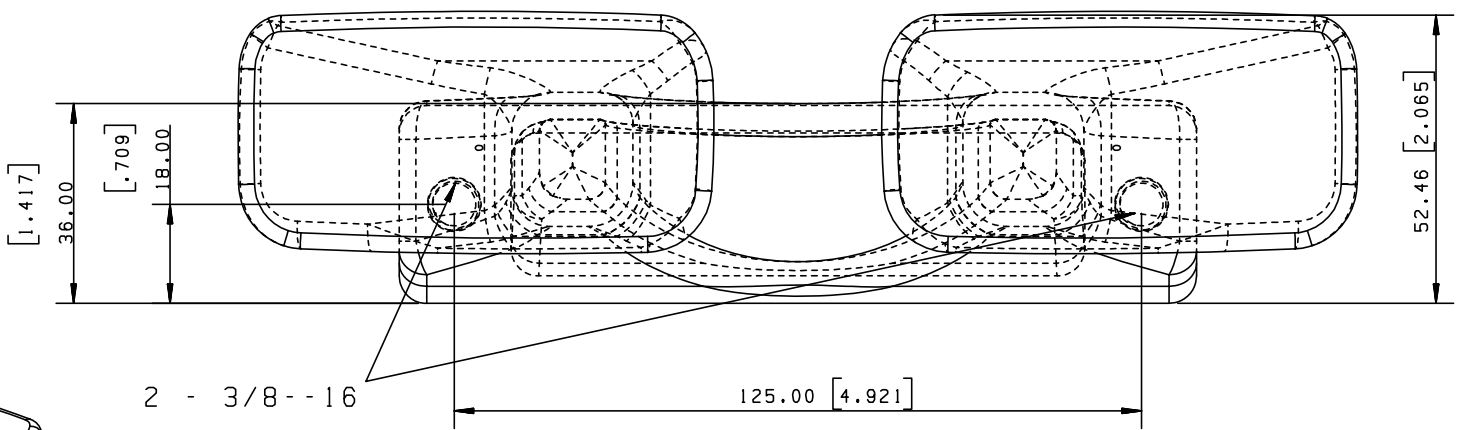
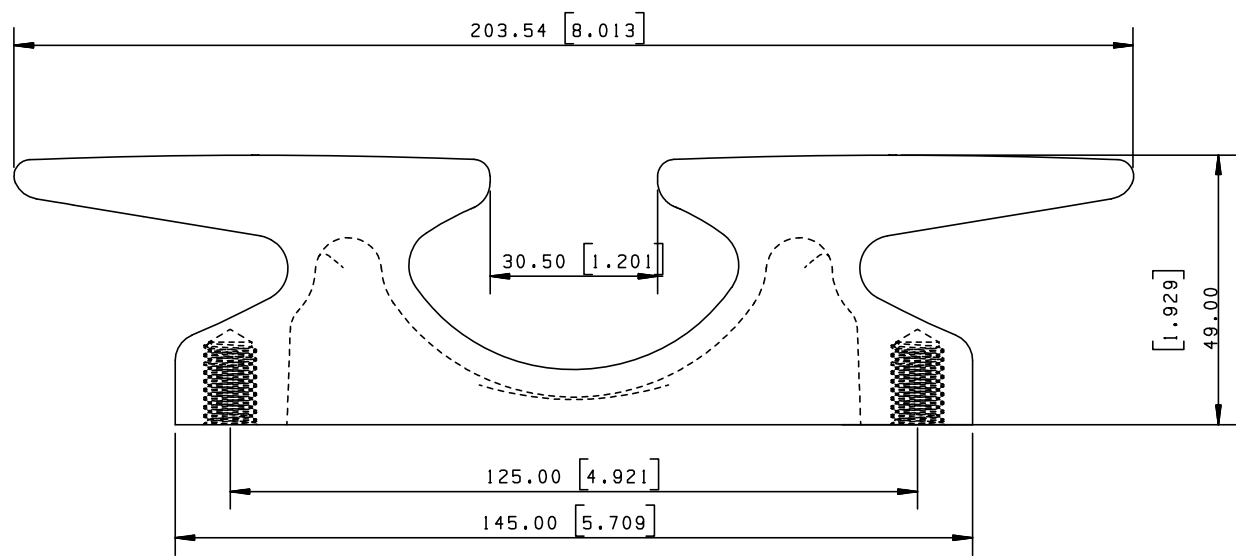


RevNo	Revision note	Date	Signature	Checked



2 - 3/8--16

FILE NAME	Z:\Hardware\cleat								
Designed by	Checked by	View	Unit		Material	Date	Scale		
MWK	NFM	3th ANGLE	mm		SS 316	2007.03.18			
91975 8''CLEAT CHOCK W/STUDS					CL-91975	Edition	RB	Sheet	1 of 1
					NEW FOUND METALS CO., LTD.				