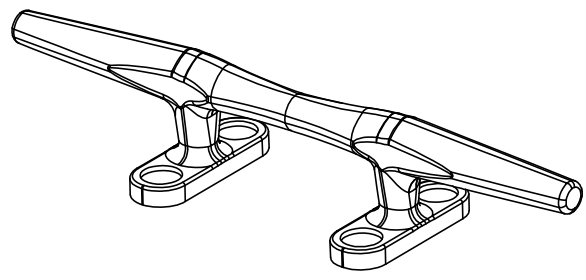
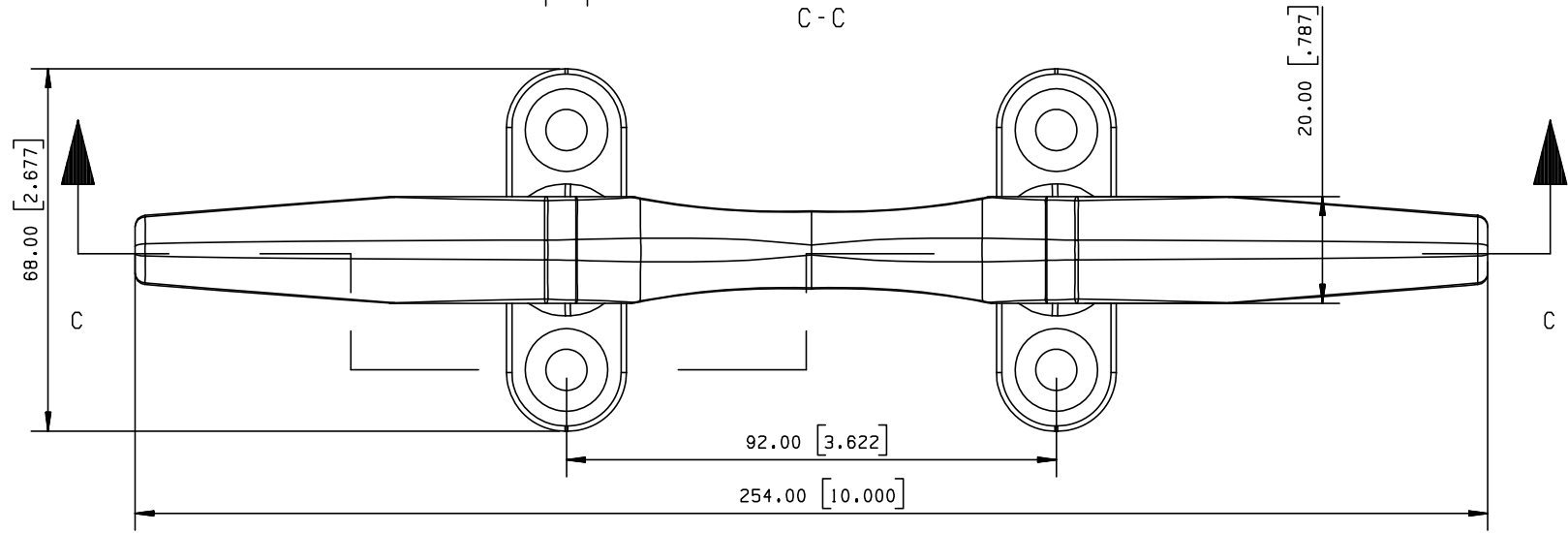
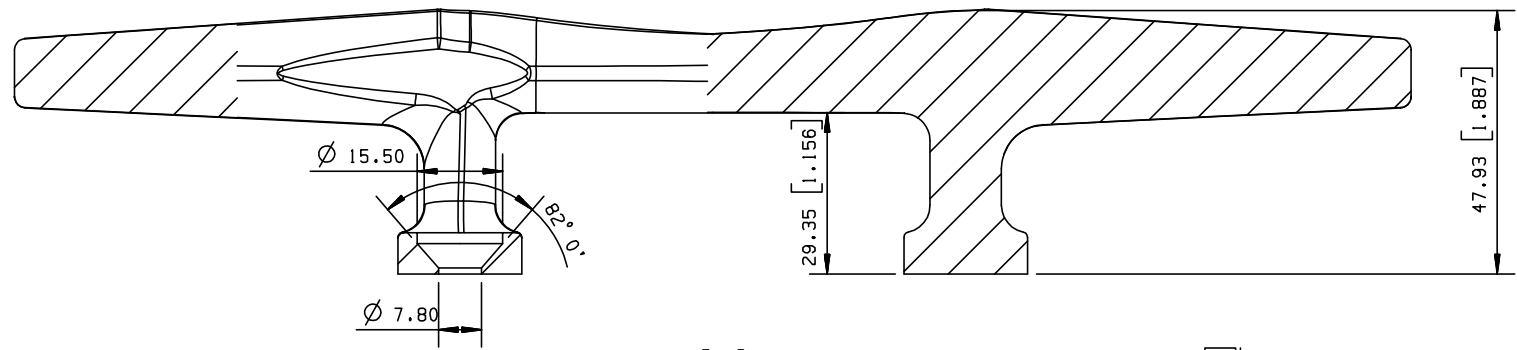


RevNo	Revision note	Date	Signature	Checked



FILE NAME	Z:\Hardware\cleat					
Designed by	Checked by	View	Unit	Material	Date	Scale
MWK	NFM	3th ANGLE	mm	SS 316	2007.03.18	
6034S 10'' CLEAT				CL - 6034S	Edition	RB
				Sheet	1 of 1	
NEW FOUND METALS CO., LTD.						