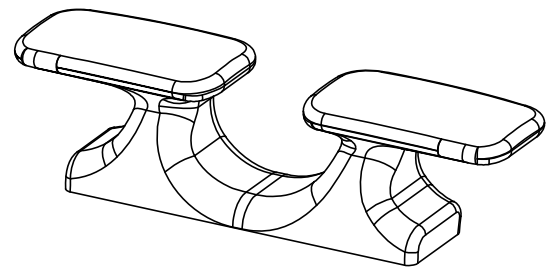
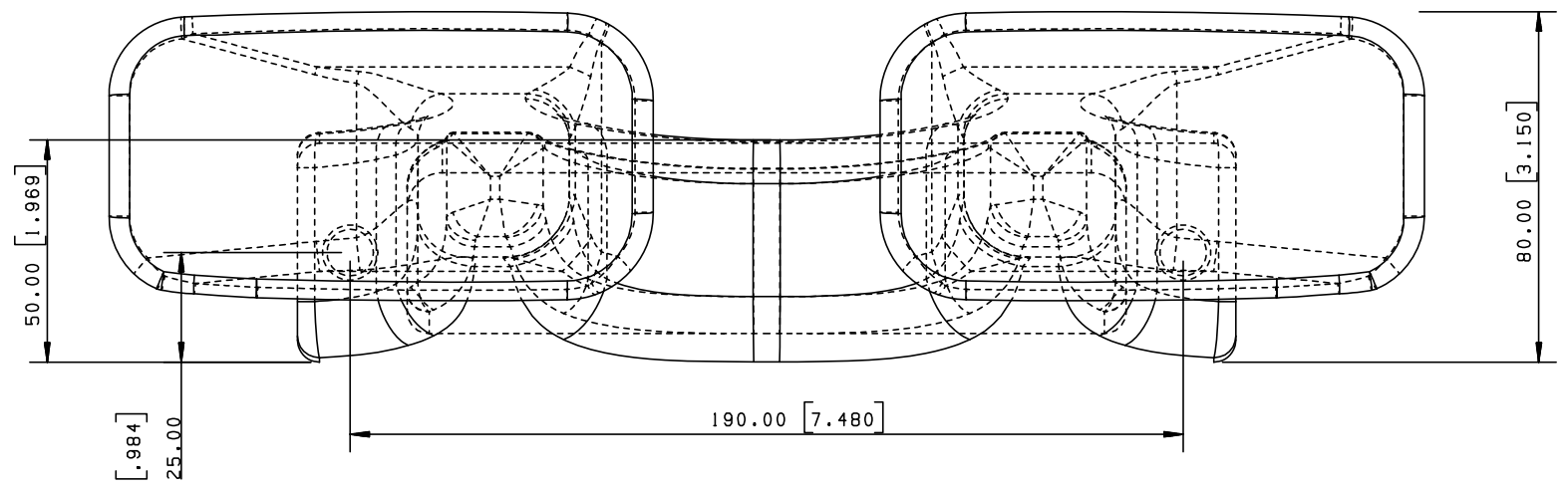
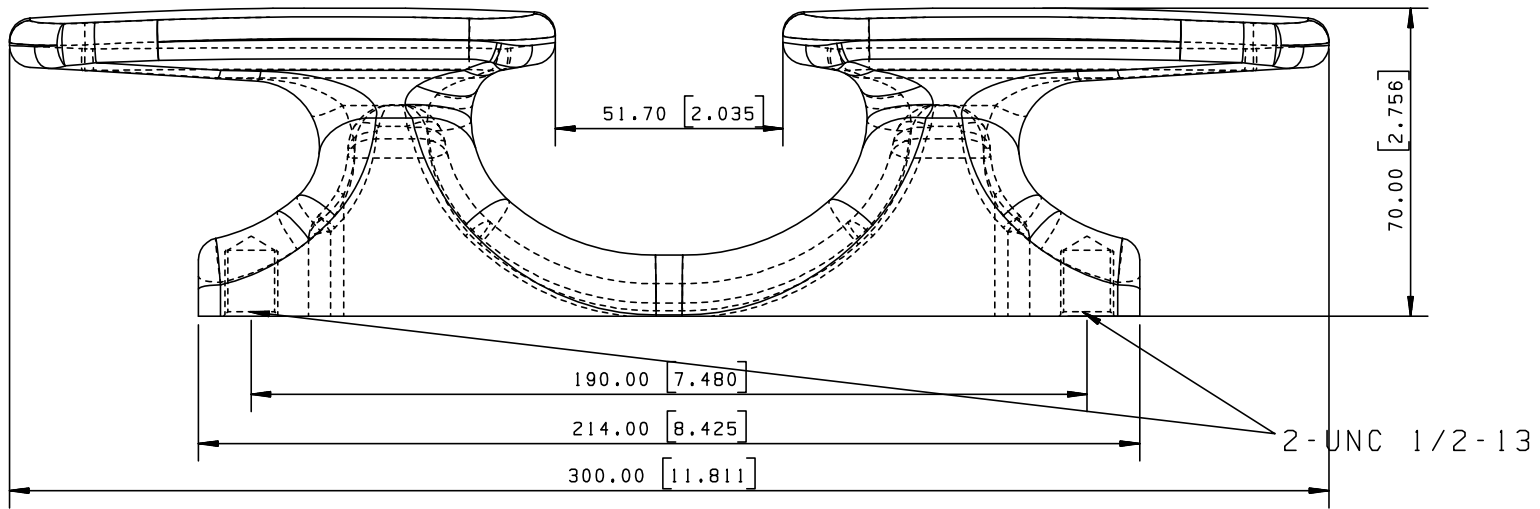


| RevNo | Revision note | Date | Signature | Checked |
|-------|---------------|------|-----------|---------|
|       |               |      |           |         |
|       |               |      |           |         |



|                               |            |                   |      |          |          |            |              |
|-------------------------------|------------|-------------------|------|----------|----------|------------|--------------|
| FILE NAME                     |            | Z:\Hardware\cleat |      |          |          |            |              |
| Designed by                   | Checked by | View              | Unit |          | Material | Date       | Scale        |
| MWK                           | NFM        | 3th ANGLE         | mm   |          | SS 316   | 2007.03.18 |              |
| 9197L 12''CLEAT CHOCK W/STUDS |            |                   |      | CL-9197L | Edition  | RB         | Sheet 1 of 1 |
| NEW FOUND METALS CO., LTD.    |            |                   |      |          |          |            |              |