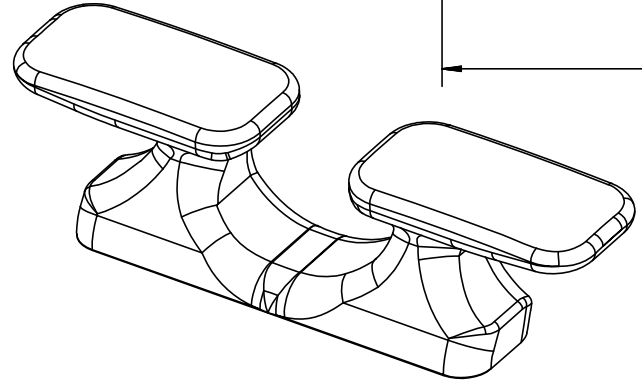
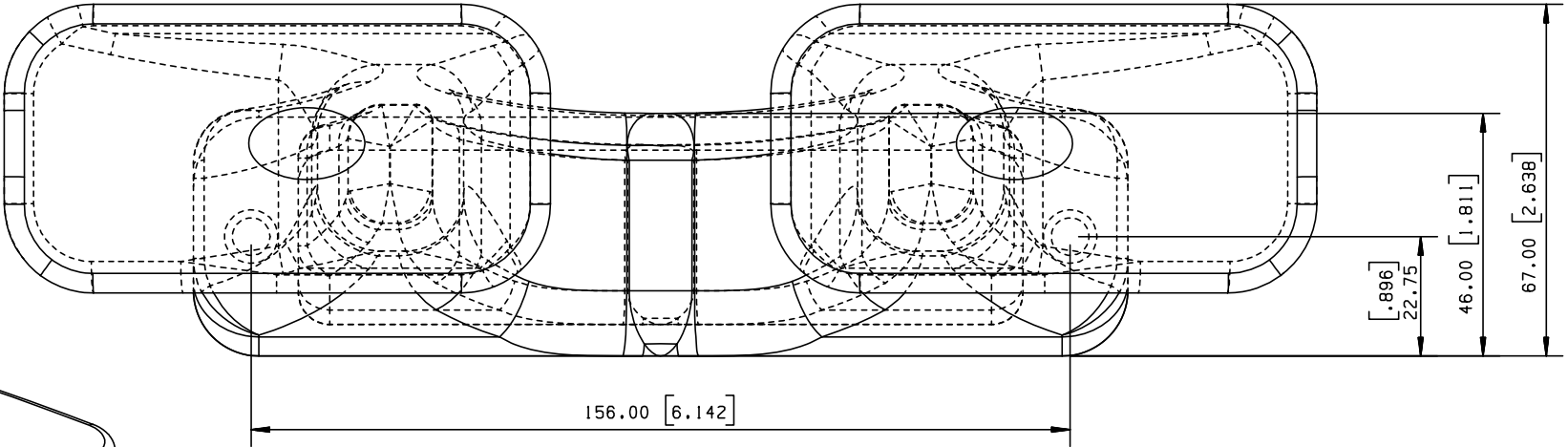
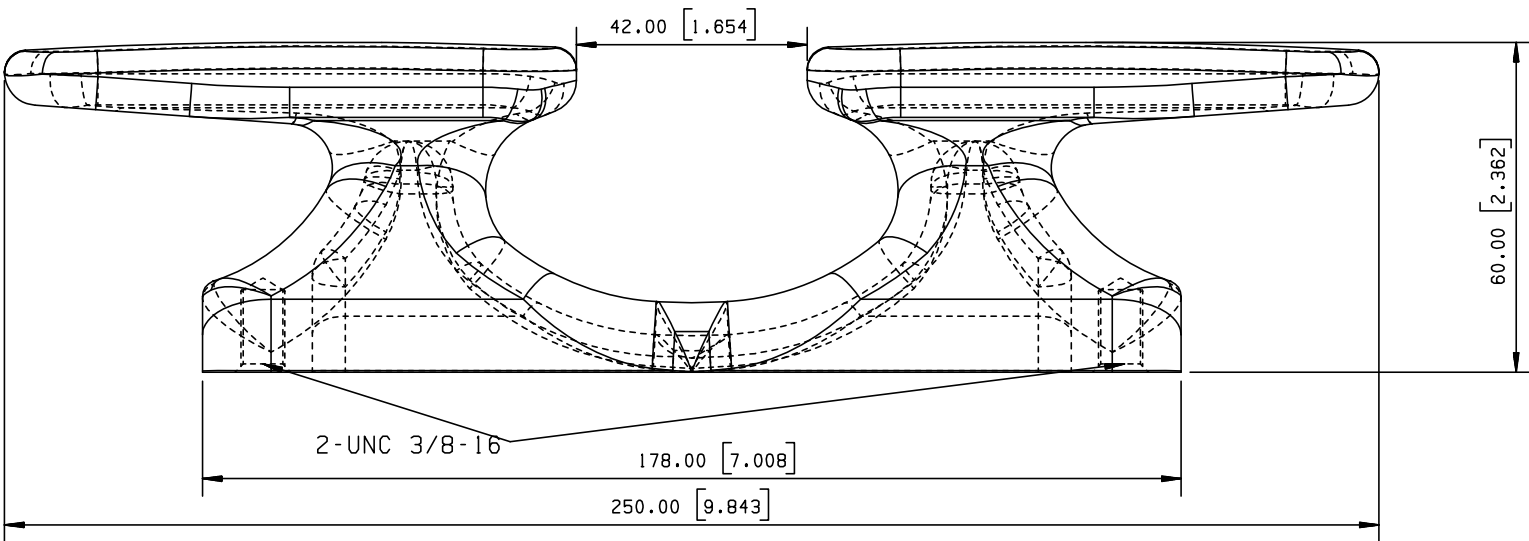


RevNo	Revision note	Date	Signature	Checked



FILE NAME	Z:\Hardware\cleat						
Designed by	Checked by	View	Unit		Material	Date	Scale
MWK	NFM	3th ANGLE	mm		SS 316	2007.03.18	
9197M 10''CLEAT CHOCK W/STUDS				CL - 9197M	Edition	RB	Sheet 1 of 1
NEW FOUND METALS CO., LTD.							