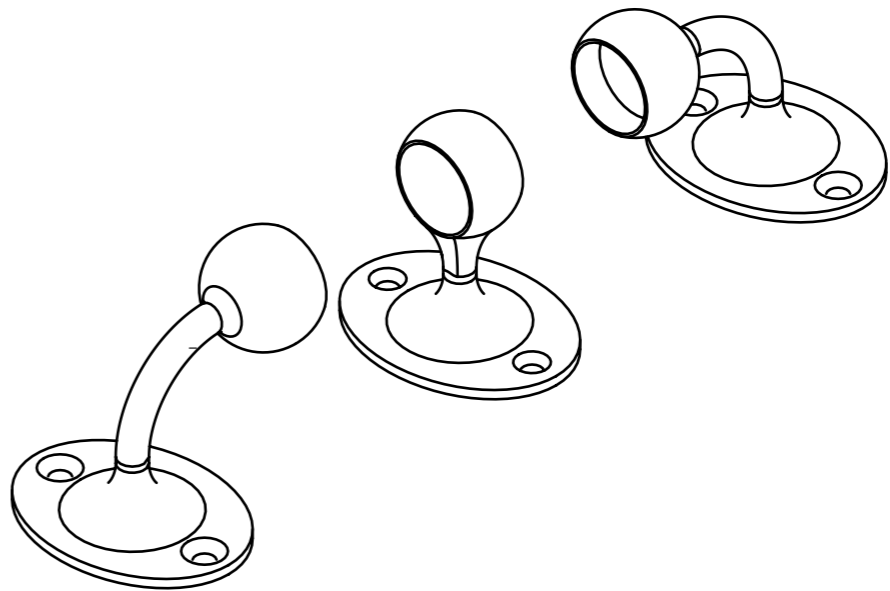
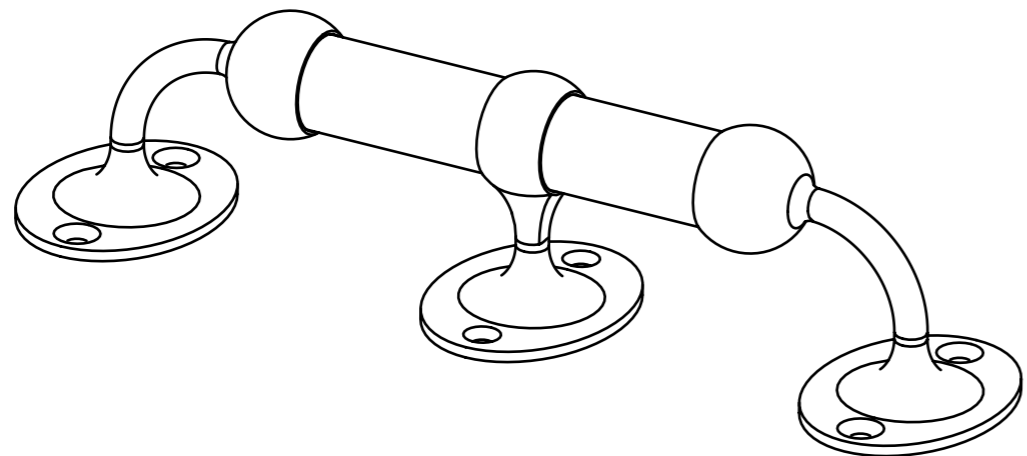
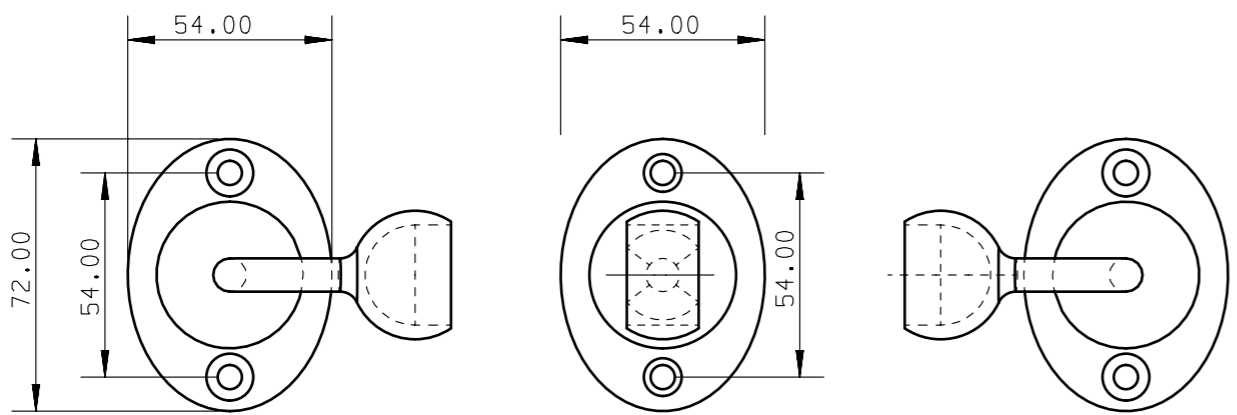
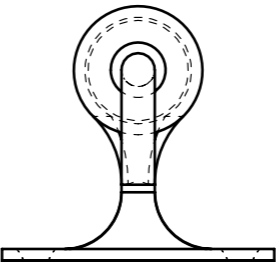
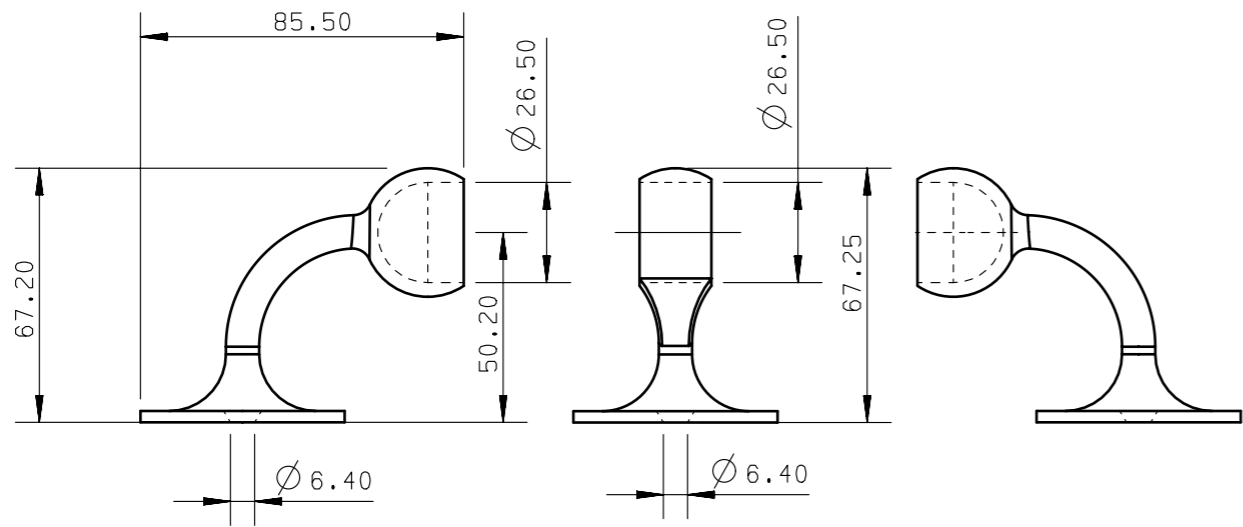


RevNo	Revision note	Date	Signature	Checked



FILE NAME	Z:\Hardware\Hand Rails						
Designed by	Checked by	View	Unit		Material	Date	Scale
XIAOYI	xieyong	1th ANGLE	mm		SS 316	2006 07 24	1:1
HAND RAIL					New Found Metals, Inc		
					HAND_RAIL_A01	Edition RC	Sheet 1 of 1